



HANWHA XD07 AUTOMATIC SWISS LATHE

Call for pricing

[1-815-597-5341](tel:1-815-597-5341)

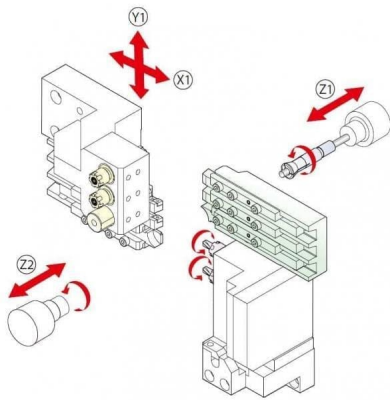
CNC Automatic Lathe for Ultra-Precision Machining

- Tooling versatility - cutting-edge CNC automatic lathe
 - Ultra-precision machining - high precision maintained through the oil cooling system
 - Compact design - optimal space utilization and space productivity

SKU: N/A

Categories: [New Machines](#)

GALLERY IMAGES



Model	XD03/07
NC	Hanwha Fanuc-i
Max. machining diameter	Ø3/7
Z1 Stroke (mm)	125
Main spindle	16,000 (Rotary G/B 10,000 rpm)
rpm	1.1/1.5
kW	
OD tool	No. of tools 6 (□(8mm) (3 + 3))
Front tool	No. of tools 3 (ER8M, Ø15.875)
Cross drill	No. of tools 2 (ER8M)
rpm	9,000
kW	0.35
Sub spindle	rpm 16,000
kW	1.1/1.5
Machine size (L x W x H) (mm)	1,330 x 750 x 1,450
Weight (kg)	1,000
Power Consumption (Cable size)	8kVA, 5.4kW (VCTF 65Q x 4C)
Air Flow rate (Liter/Min)	120 - 150

ADDITIONAL INFORMATION

NC	Fanuc-i
Max machining diameter	Ø7mm
Main Spindle Max Speed	16,000 rpm
Main Spindle Motor Power	1.5 kW
Sub Spindle Max Speed	16,000 rpm
Sub Spindle Motor Power	1.5 kW
Cross Drill Max Speed	9,000 rpm
Cross Drill Motor Power	0.35 kW
Weight	1,000 kg

Machine Size (L x W x H) 1,520 x 910 x 1,520